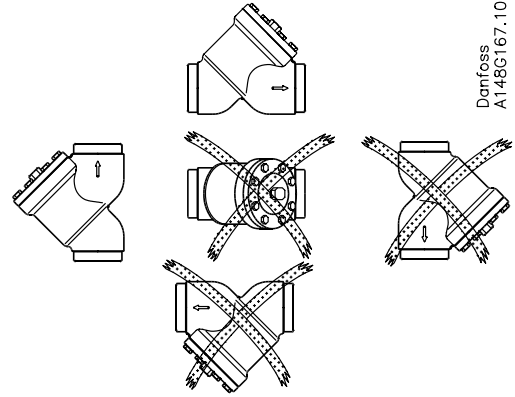
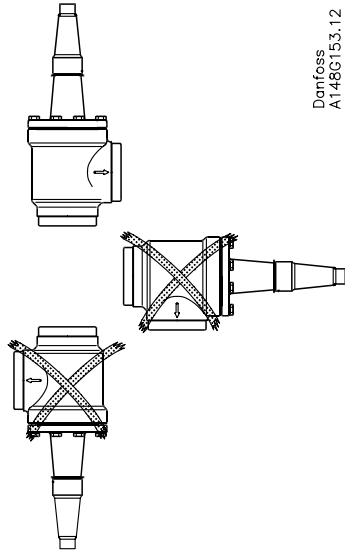


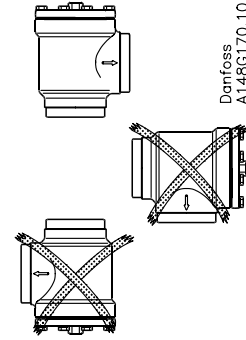
Danfoss
A148G154.13



Danfoss
A148G167.10



Danfoss
A148G153.12

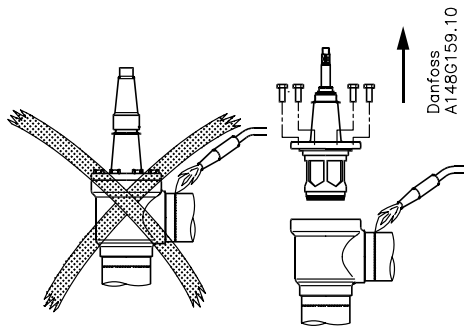


Danfoss
A148G170.10

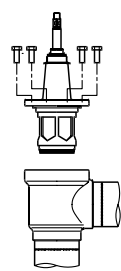
SCA

1

CHV



Danfoss
A148G159.10

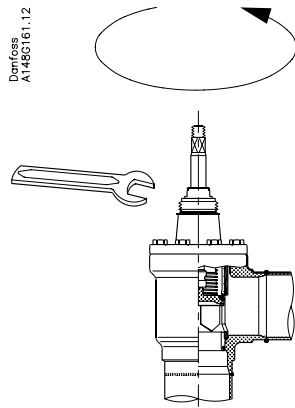


Danfoss
A148G160.10

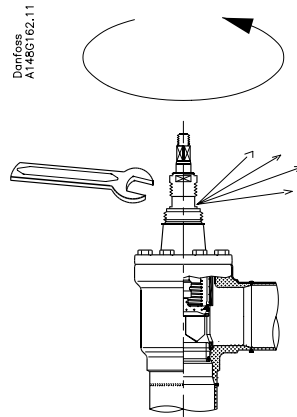
	Nm	LB-feet
DN 50	44	32
DN 65	75	53
DN 80	44	32
DN 100	75	53
DN 125	183	135

2

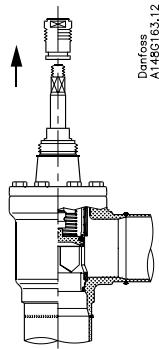
3



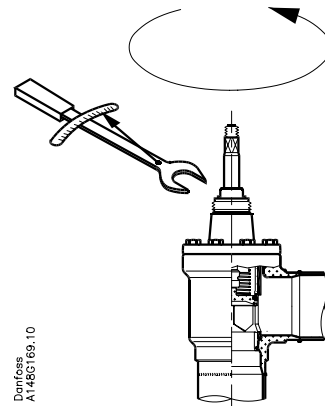
4



5

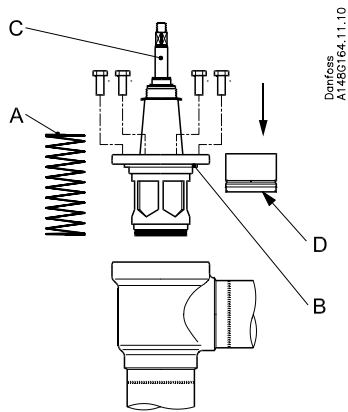


6

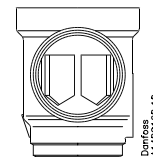


	Nm	LB-feet
DN 50-65-80-100	60	45
DN 125	80	60

7



8a



8b

Refrigerants

Applicable to all common non-flammable refrigerants, including R717 and non-corrosive gases/liquids dependent on sealing material compatibility. Flammable hydrocarbons are not recommended. The valve is only recommended for use in closed circuits. For further information please contact Danfoss.

Temperature range

SCA: $-50/+150^{\circ}\text{C}$ ($-58/+302^{\circ}\text{F}$)
CHV: $-50/+150^{\circ}\text{C}$ ($-58/+302^{\circ}\text{F}$)

Pressure range

The valves are designed for a max. working pressure of 40 bar g (580 psi g).

Installation

The valve must be installed with the spindle on top vertically upwards position (fig. 1). Stop check valves should be opened by hand without the use of tools or other devices. The valve is designed to withstand a high internal pressure. However, the piping system should be designed to avoid liquid traps and reduce the risk of hydraulic pressure caused by thermal expansion. It must be ensured that the valve is protected from pressure transients like "liquid hammer" in the system.

Flow direction

Direct the flow towards the cone as indicated by an arrow on the valve housing (fig. 1).

Welding

The bonnet should be removed before welding (fig. 2) to prevent damage to the O-rings in the packing gland and between the valve body and bonnet, as well as the teflon gasket in the valve seat. Only materials and welding methods, compatible with the valve housing material, must be welded to the valve housing. The valve should be cleaned internally to remove welding debris on completion of welding and before the valve is reassembled.

Avoid welding debris and dirt in the threads of the housing and the bonnet.

Be careful not to damage the teflon cone ring.

The valve housing must be free from stresses (external loads) after installation.

Check and stop/check valves must not be mounted in systems where the outlet side of the valve is open to atmosphere. The outlet side of the valve must always be connected to the system or properly capped off, for example with a welded-on end plate.

Assembly

Remove welding debris and any dirt from

pipes and valve body before assembly. Check that the cone has been fully screwed back towards the bonnet before it is replaced in the valve body (fig. 3).

Important for the SCA valves:

Full capacity is only obtained when the spindle is screwed outward, "into bonnet", i.e. counterclockwise (fig. 3).

Tightening

Tighten the bonnet with a torque wrench, to the values indicated in the table (fig. 3).

Tightening of the bonnet should be performed according to sound mechanical practice.

Colours and identification

The SCA and CHV valves are painted with a yellow primer in the factory. Precise identification of the valve is made via the ID ring at the top of the bonnet, as well as by the stamping on the valve body. The external surface of the valve housing must be prevented against corrosion with a suitable protective coating after installation and assembly.

Protection of the name plate when repainting the valve is recommended.

Maintenance**Packing gland (only SCA)**

When performing service and maintenance, replace the complete packing gland only, which is available as a spare part. As a general rule, the packing gland must not be removed if there is internal pressure in the valve. However, if the following precautionary measures are taken, the packing gland can be removed with the valve still under pressure:

Backseating (fig. 4)

To backseat the valve, turn the spindle counterclockwise until the valve is fully open.

Pressure equalization (fig. 5)

In some cases, pressure forms behind the packing gland. Hence, a handwheel or a large washer should be fastened on top of the spindle while the pressure is equalized. The pressure can be equalized by slowly screwing out the gland.

Removal of packing gland (fig. 6)

Handwheel and packing gland can now be removed.

Dismantling the valve (fig. 8a)

Do not remove the bonnet while the valve is still under pressure.

- Check that the spring (pos. A) is intact.
- Check that the O-ring (pos. B) has not been damaged.
- Check that the spindle (pos. C) is free of scratches and impact marks.

- If the teflon cone ring (pos. D) has been damaged, the whole cone assembly must be replaced.

Assembly (fig. 8a)

Remove dirt, if any, from pipes and housing before assembly. Important for the SCA valves: Full capacity is only obtained when the spindle is screwed outward, "into the bonnet", i.e. counterclockwise (fig. 3).

Rotate the V-port cylinder until placed as shown in fig. 8b. The k_v value is optimal in this position.

Use a torque wrench to tighten the bonnet (fig. 3).

Tightening

Tighten the bonnet with a torque wrench, to the values indicated in the table (fig. 3). Tighten the packing gland with a torque wrench, to the values indicated in the table (fig. 7).

Tightening of the bonnet should be performed according to sound mechanical practice.

Use only original Danfoss parts, including packing glands, O-rings and gaskets for replacement. Materials of new parts are certified for the relevant refrigerant.

In cases of doubt, please contact Danfoss.

Danfoss accepts no responsibility for errors and omissions. Danfoss Industrial Refrigeration reserves the right to make changes to products and specifications without prior notice.

DECLARATION OF CONFORMITY
The Pressure Equipment Directive 97/23/EC



Name and Address of Manufacturer within the European Community

Danfoss Industrial Refrigeration A/S
Stormosevej 10
PO Box 60
DK-8361 Hasselager
Denmark

Description of Pressure Equipment

Refrigerant Check and Stop/Check valve, with straight or angled arrangement
Type CHV, SCA

Nominal bore	DN50-125 mm. (2-5 in.)	
Classified for	Fluid Group I (all refrigerants (toxic, nontoxic, flammable and nonflammable)). For further details / restrictions - see Installation Instruction.	
Temperature range and maximum allowable working pressure	Standard application	PS40 bar (580 psi) at -60°C/+150°C (-76°F/302°F)
	High pressure application	PS50 bar (725 psi) at -90°C/+50°C (-130°F/122°F) PS40 bar (580 psi) at +50°C/+150°C (+122°F/302°F)

Conformity and Assessment Procedure Followed

Category	II		III	
Module	D1		B1+D	
Certificate ID	<i>D1: 07 202 0511 Z 0009/1/H-0002</i>		<i>B1: 07 202 0124 Z 0182/2/0001</i> <i>D: 07 202 0511 Z 0009/1/H-0001</i>	
Nominal bore	Standard application	DN50-80 mm. (2-3 in.)	DN100-125 mm. (4-5 in.)	
	High pressure application	DN50-65 mm. (2-2½ in.)	DN80-125 mm. (3-5 in.)	

Name and Address of the Notified Body which carried out the Inspection

TÜV-Nord e.V.
Grosse Bahnstrasse 31
22525 Hamburg, Germany



Name and Address of the Notified Body monitoring the Manufacturer's Quality Assurance System

TÜV-Nord e.V.
Grosse Bahnstrasse 31
22525 Hamburg, Germany

References of Harmonised Standards used

EN 10028-3 EN 10213-3 EN 10222-4

References of other Technical Standards and Specifications used

DIN 3840
AD-Merkblätter

Authorised Person for the Manufacturer within the European Community

Name: Morten Steen Hansen **Title:** Production Manager

Signature: Morten Steen Hansen **Date:** 03/07/2002